

# Our smallest - but big in every other way

Hook lift S8 is a flexible, easy-to-use and fast hook lift. The design is among one of the lowest when it comes to low weight and the lowered tipping joints increase the lifting force.



Hook Lift S8



Impact tested front wall.



Radio control

## ► QUICK FACTS

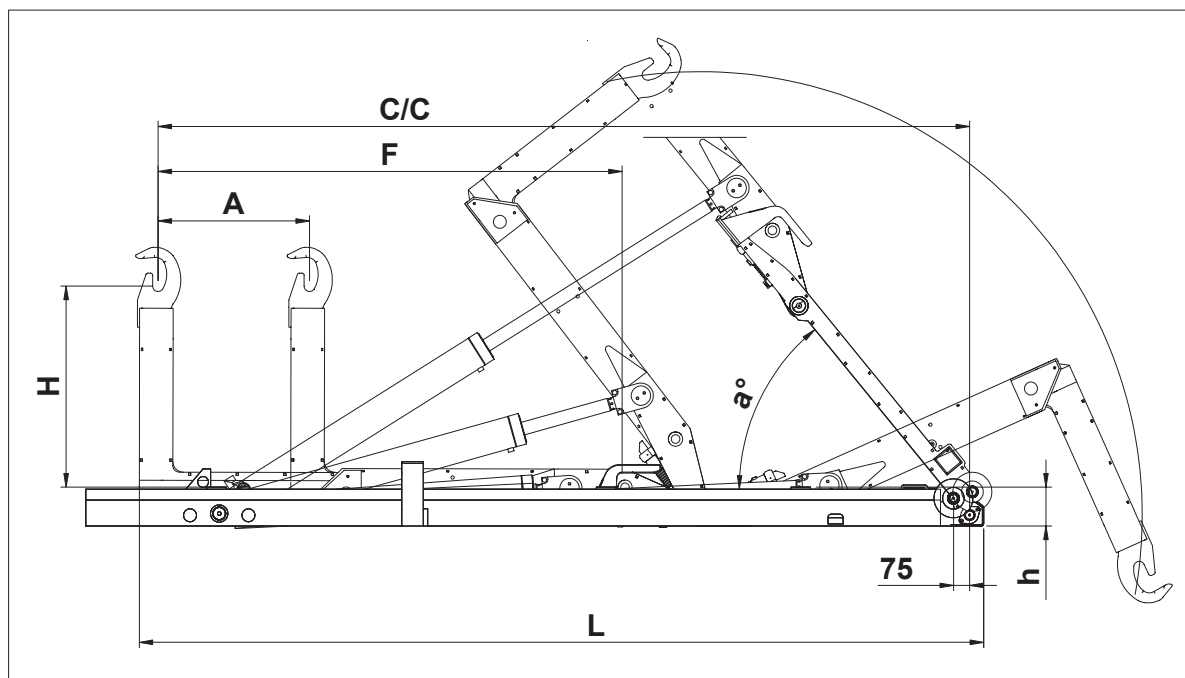
- Swedish made.
- 8 tons lifting and tipping capacity.
- Mini hook height, 930mm.

## ► FACTS IN DETAIL

- Robust construction for increased durability and long service life.
- Automatic lowering brake that dampens the speed at the end of the lowering motion.
- Hook height of 930mm and adapted mini body.
- Extensive equipment program designed for your specific needs.
- Included in our FBS construction concept, which consists of corrosion resistant products (painted at assembly). FBS also means a shorter lead time.
- Gives you, the customer, many years of profitable ownership.

## ► ADDITIONAL EQUIPMENT

- Crane body studs
- Redskapsfäste
- Radio control
- Impact tested front wall
- Sleeves in front wall



Model	Weight (kg)	Capacity max (t)	Pressure (bar)	a	Dimensions (mm)					F Body lock (mm)	Rec. Load carrier (mm)
					C/C	L	A	H	h		
S8 – 3438 CA	940	8	260	59	3438	3600	700	930	180	2135	3500-4000
S8 – 3738 CA	950	8	260	51	3738	3900	700	930	180	2135	3800-4300
S8 – 4038 CA	960	8	260	45	4038	4200	700	930	180	2135	4100-4600

\* Only hook lift units.

We have always prioritised safety and user-friendliness for our products. The installation has many details and components that increase driver safety and facilitate use

JOAB Försäljnings AB  
 Östergärde Industriområde  
 417 29 Gothenburg, Sweden  
 Tel: +46 (0)31 705 06 00  
 Fax: +46 (0)31 705 06 36  
 info@joab.se